

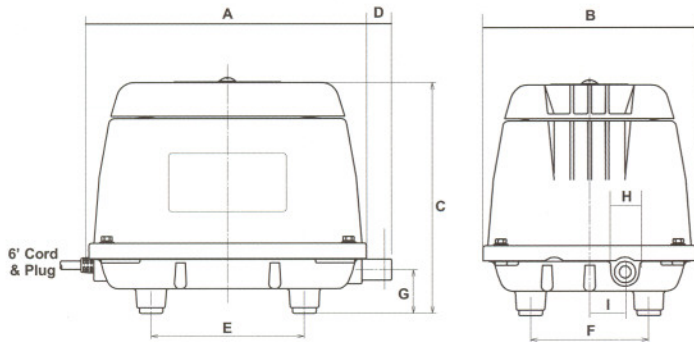
HP Series Linear Pumps

Models HP40, 60 and 80



Model Number	HP40-0110	HP60-0110	HP80-0110
Voltage (Vac)	120	120	120
Frequency (Hz)	60	60	60
Max. Cont. Pressure (psig)	3.5	4	4
Max. Inter. Pressure (psig)	5.5	6.5	6.5
Open Flow (c.f.m.)	2	3.1	3.7
Power Consumption (amps)	1.2	2.1	2.1
Sound Level (dBA@3 ft.)	32	35	36
Weight (lbs.)	13	15.5	15.5
Service Kit # Chambr. Bck.	40PC000030	80PC000041	80PC000041

Performance data noted is representative of typical values. Specifications and performance data are subject to change without notice. Purchaser is responsible for determining suitability for product applications.



Model	Dim.	A	B	C	D	E	F	G	H	I
HP60/80	Inches	9.3	7.1	7.8	0.8	5.1	4	1.5	0.7	1.2
	Millimeters	235	180	197	21	130	100	37	18	30
HP40	Inches	8.2	6.75	7.5	0.83	4.75	3.5	1.5	0.7	1.2
	Millimeters	208	171	190	21	120	90	37	18	30

HP 40, 60 & 80 PERFORMANCE

