

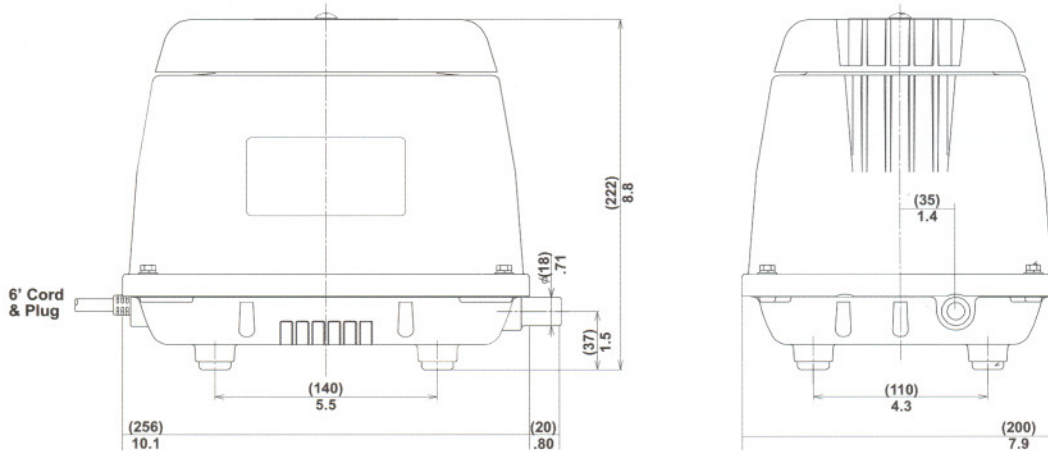
HP Series Linear Pumps

Models HP100, 120, 150 and 200



Model Number	HP100-0110	HP120-0110	HP150-0110	HP200-0110
Voltage (Vac)	120	120	120	120
Frequency (Hz)	60	60	60	60
Max. Cont. Pressure (psig)	4.5	4.5	4.5	5
Max. Inter. Pressure (psig)	6.5	7.5	6.5	6.5
Open Flow (c.f.m.)	5.2	6.1	8.6	10.5
Power Consumption (amps)	1.2	2.1	2.1	3.4
Sound Level (dBA@3 ft.)	38	40	48	47
Weight (lbs.)	19	19	20	20
Service Kit # Chambr. Blck.	120PC20011	120PC20011	200PC20011	200PC20011

Performance data noted is representative of typical values. Specifications and performance data are subject to change without notice. Purchaser is responsible for determining suitability for product applications.



HP 100, 120, 150 & 200 PERFORMANCE

